



622Mbps PIN/TIA Receiver

PTCM960-405

Features

- *Data rates up to 622Mb/s*
- *High performance InGaAs PIN Photodiode with Transimpedance Amplifier (TIA)*
- *Operating wavelength range:*
- *1250~1620nm*
- *Single +3.3V power supply*
- *Wide dynamic range*
- *LC/APC pigtail package*
- *RoHS compliant*

Application

- *622Mb/s Transceiver Module*
- *Other applications*

Absolute Maximum Ratings

Parameter	Symbol	Unit	Min	Max
Storage Temperature Range	Ts	°C	-40	85
Relative Humidity	RH	%	5	95
Power Supply Voltage	Vcc	V	-0.5	4
Lead Solder Temperature	-	°C	-	260
Lead Solder Duration	-	S	-	10
Input Optical Power	Pin	dBm	-	3

Recommended Operating Conditions

Parameter	Symbol	Unit	Min	Typ	Max
Case Operating Temperature Range	Tc	°C	-40	25	85
Power Supply Voltage	Vcc	V	3	3.3	3.6
Relative Humidity	RH	%	5	-	95

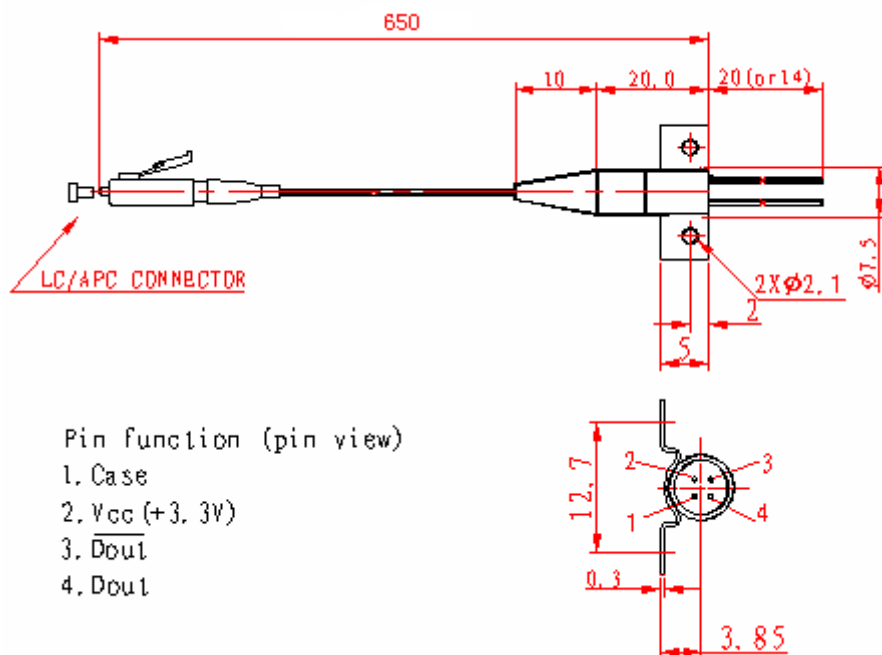
Specifications (T=25 °C, unless otherwise noted)

Parameter	Symbol	Unit	Min	Typ	Max	Test condition
Electrical Characteristics						
Operating Current	Icc	mA	-	20	26	No loads
Output Impedance	Ro	Ω	-	50	-	Single ended
-3dB Bandwidth	BW	MHz	400	550	-	
Low Frequency Cutoff	LFC	kHz	-	-	30	
Optical Characteristics						
Wavelength Range	λ	nm	1250	-	1620	
Sensitivity	S	dBm	-	-32	-30	NRZ, ER=10dB, 622Mb/s
Overload	Pin-max	dBm	-3	-	-	PRBS 223-1, BER=10-10

Pin Description

Pin	Description	Bottom View
1	CASE (GND)	
2	VCC	
3	DOUT-	
4	DOUT+	

Package Outline



Regulatory Compliance

Feature	Test method	Performance
Electrostatic Discharge (ESD) to the Electrical Pins	MIL-STD-883E Method 3015.7	>1000 V

Ordering Information

Part No.	Specifications					
	Package	Data rate	Detector	Sensitivity	Temp	Others
PTCM960-405	4pin LC pigtail	622M	PIN+TIA	< -30dBm	-40~85°C	+3.3V

WTD reserves the right to make changes to the product(s) or information contained herein without notice. No liability is assumed as a result of their use or application. No rights under any patent accompany the sale of any such product(s) or information.

Edition 2009-12-01

Published by Wuhan Telecommunication Devices Co.,Ltd.

Copyright © WTD

All Rights Reserved.