



High Linearity Coaxial Photo-detectors

PDCS988 Series

Features

- *High linearity InGaAs PIN photodiode ideally for analog O/E conversion application*
- *Low capacitance, low return loss, low dark current, low inter-modulation distortion*
- *Mini-Coaxial package (3 pin)*
- *Single model or multi-mode fiber is optional, and can be produced with a variety of industry standard connector or without a connector. They are also available with horizontal type flange package*

Application

- *Analog CATV/CDMA receivers*
- *Broadband analog receivers to 2GHz*
- *Multi-channel fiber optical transmission systems*

Absolute Maximum Ratings

Parameter	Symbol	Unit	Min	Max
Case Operating Temperature Range	Tc	°C	-40	+85
Storage Temperature Range	Ts	°C	-40	+85
Relative Humidity	RH	%	-	95
Reverse bias voltage	Vcc	V	-	-20
Diode Current	If	mA	-	10
Reverse Current	Ir	mA	-	10
Lead Soldering Temperature	-	°C	-	260
Lead Soldering Time	-	s	-	10
Input optical power	Pin	mW	-	3
Fiber yield strength	-	N	-	10
Fiber bend radius	-	mm	30	-

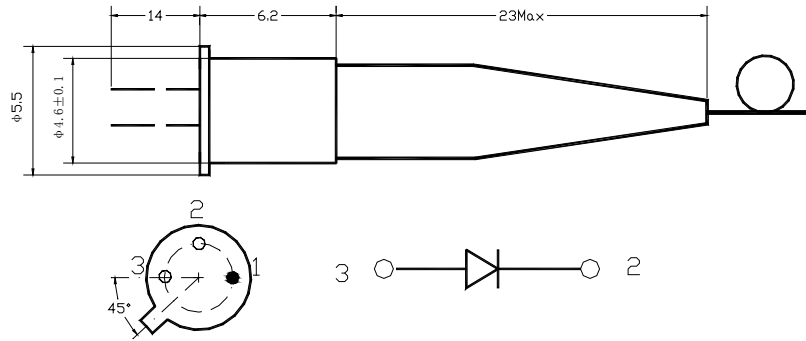
Specifications (T=25°C, BOL, VR=15V, unless otherwise noted)

Parameter	Symbol	Unit	Min	Typ	Max	Test condition
Electrical Characteristics						
Operating voltage	Vcc	V	-	-15	-	
Distortion Product IM2	IM2	dBc	-	-	-70	VR=15V, Pavg=0dBm, MI=0.4, Rload=50
Distortion Product IM3	IM3	dBc	-	-	-80	Ω, f1=505MHz, f2=55 MHz
Dark current	ID	nA	-	-	1	
Capacitance	C	pF	-	-	1.0	
-3dB Bandwidth	BW	GHz		2	-	50 Ω load
Optical Characteristics						
Wavelength range	λ	nm	1100	-	1650	
Responsivity	R1310	A/W	0.85	-	-	λ = 1310
Responsivity	R1550	A/W	0.90	-	-	λ = 1550
Return loss	RL	dB	45	-	-	λ = 1310

Pin Description

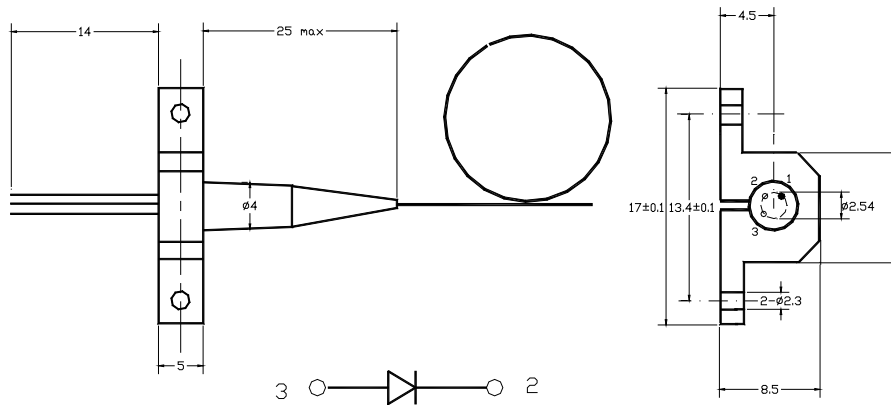
Pin	Description	Bottom view
1	GND	
2	Cathode	
3	Anode	

Package Outline (unit: mm)



All dimension in mm

Flange type:



All dimension in mm

Ordering Information

PN	Bandwidth	Wavelength	Chip type	Package	IM2
PDCS988	2GHz	1100~1650nm	PIN	3pin coaxial pigtail	-70

WTD reserves the right to make changes to the product(s) or information contained herein without notice. No liability is assumed as a result of their use or application. No rights under any patent accompany the sale of any such product(s) or information.

Edition 2009-12-01

Published by Wuhan Telecommunication Devices Co.,Ltd.

Copyright © WTD

All Rights Reserved.