



Coaxial-Pigtailed DFB-LD Module for Analog Application

LDM5S514-001

Features

- *Operating wavelength: 1550nm*
- *High-stability MQW-DFB laser chip*
- *Built-in InGaAsP monitor photodiode*
- *4-pin coaxial-pigtailed package, single mode coupling, FC/APC connector*
- *Built-in optical isolator*

Application

- *Mobile communication systems*
- *CATV transmission systems*
- *Other analog transmission applications*

Absolute Maximum Ratings

Parameter	Symbol	Unit	Min	Max
Optical output power from fiber end	Pf	mW	-	10
Optical isolation	ISO	dB	40	-
Fiber yield strength	-	kgf	-	1
Fiber bend radius	-	mm	30	-
Storage Temperature Range	Ts	°C	-40	85
Relative Humidity	RH	%	-	85
Laser Diode Reverse Voltage	VRL	V	-	2
Laser Diode Forward Current	IFL	mA	-	150
Monitor PD Reverse Voltage	VRPD	V	-	15
Monitor PD Reverse Current	IRPD	mA	-	2
Lead Solder Temperature	-	°C	-	260
Lead Soldering Time	-	s	-	10

Recommended Operating Conditions

Parameter	Symbol	Unit	Min	Typ	Max
Case Operating Temperature Range	Tc	°C	-20		85
Power Supply Voltage	Vcc		-	1.1	1.5

Specifications (Tc=25 °C, unless otherwise noted)

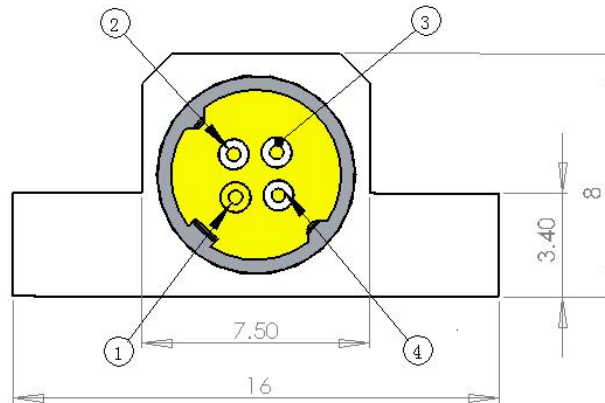
Parameter	Symbol	Unit	Min	Typ	Max	Condition
Electrical Characteristics						
Threshold Current	Ith	mA	-	8	15	CW
			-	-	50	CW, over temperature
Operating Current	Iop	mA	-	-	50	Tc=25 °C
			-	-	100	Tc=85 °C
Monitor PD Current	Im	uA	50	-	1000	CW, VrPD=5V,
Monitor PD Dark Current	Id	nA	-	-	10	CW, VrPD=5V
			-	-	100	CW, VrPD=5V, over temperature
Photodiode Capacitance	C	pF	-	-	10	f=1MHz, VrPD=5V,
Analog bandwidth	BW	MHz	2300			-3dB
Second order distortion	IMD2	dBc			-46	OMI=20%, Note1
Third order distortion	IMD3	dBc			-54	OMI=20%, Note1
Third order distortion	IMD3	dBc			-60	OMI=20%, Note2
Relative intensity noise	RIN	dB/Hz		-150		CW
Optical Characteristics						

Optical Output Power	Po	mW	1.8	-	-	-
Slope Efficiency	η	W/A	0.09	-	-	CW
Optical Wavelength	λ_c	nm	1535	1550	1565	CW
Wavelength/Temperature Coefficient	d λ /dT	nm/C	-	-	0.1	Over temperature range
Side Mode Suppression Ratio	SMSR	dB	35	-	-	CW
Spectral Width	$\Delta\lambda$	nm	-	-	1	CW, -20dB
Optical isolation	ISO	dB	40	-	-	
Tracking Error	TE	dB	-1	-	+1	CW, P0=2mW

Note1: For CATV Return-path Application 2tone (13MHz, 19MHz)

Note2: for Optical Microwave Transmission Zero link loss, 2tone (1770MHz, 1772.5MHz)

Pin Description



Pin	Description (A Version)	Description (D Version)
1	LD anode (case)	Case
2	LD cathode	LD cathode
3	PD cathode	PD anode
4	PD anode	LD anode and PD cathode

Package Outline

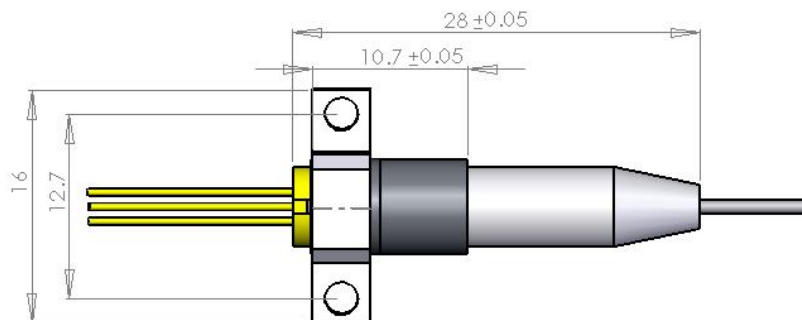


Figure.1 Tabs with 0.9mm pigtail jacket

NOTE: All dimensions are in mm.

Ordering Information

Part No.	Specifications				
	Package	Tx	Pout	Top	PIN Description
LDM5S514-001	Coaxial-pigtailed	1550nm DFB	2mW	-20~85°C	A Version

WTD reserves the right to make changes to the product(s) or information contained herein without notice. No liability is assumed as a result of their use or application. No rights under any patent accompany the sale of any such product(s) or information.

Edition 2009-12-01

Published by Wuhan Telecommunication Devices Co.,Ltd.

Copyright © WTD

All Rights Reserved.